



Quilt Binder Set
for 9 mm max. stitch width machines (Easy Set Bobbin compatible)

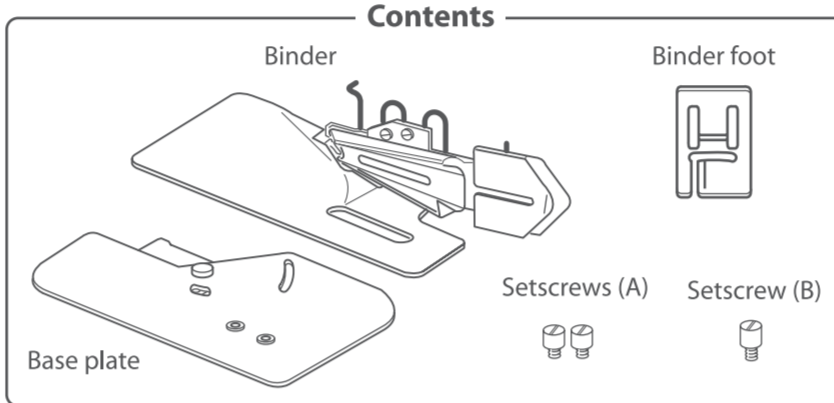
- This is a unique large binder suitable for finishing quilts with an approximately 1/2" (15 mm) wide (finished size) binding.
- The Professional binder allows adjustment of binder position to needle, and customization of relative amounts of upper and lower fold. Also includes a tape guide for easier tape insertion.
- The attachment plate and binder foot also accommodate all sizes of JANOME CoverPro tape binders. 32 mm/8 mm Tape Binder (No. 795-824-014) 42 mm/12 mm Tape Binder (No. 795-842-007)

The Quilt Binder Set is compatible with 9 mm stitch width models. This binder can be used with the Dual Feed foot AD on machines with the dual feed mechanism.

CAUTION

- * Make sure to press the Lockout key when replacing the foot and attaching the binder.
- * For models without the Lockout key, turn the power switch off when attaching and detaching the foot and binder.

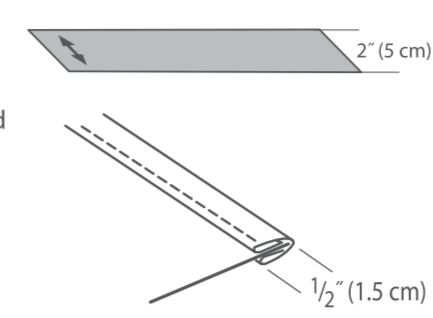
* Please refer to your machine's instruction manual for presser foot and hook cover plate/support plate attachment and removal information.



Instructions inside

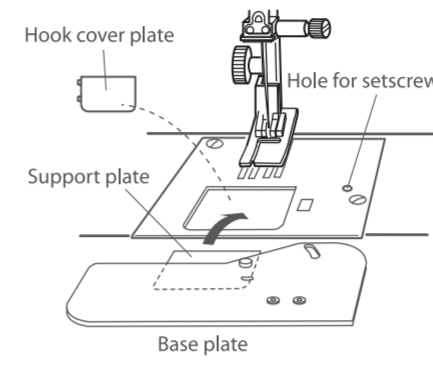


Part No. 202-211-008 Made in Taiwan

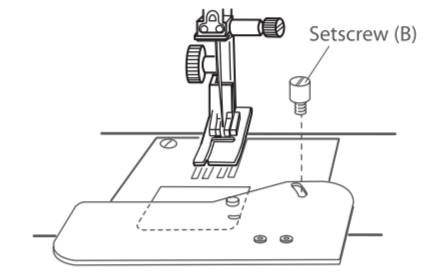


1. Preparation
Cut a 2" (5 cm) wide strip of binding fabric. The finished width of the binding will be approximately 1/2" (1.5 cm) depending on quilt thickness.

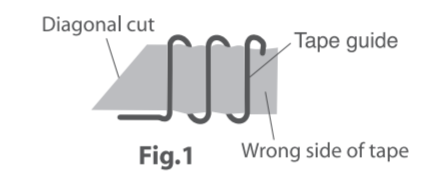
NOTE:
If using thicker fabric, cut the strips 1/8" (2 mm) narrower.



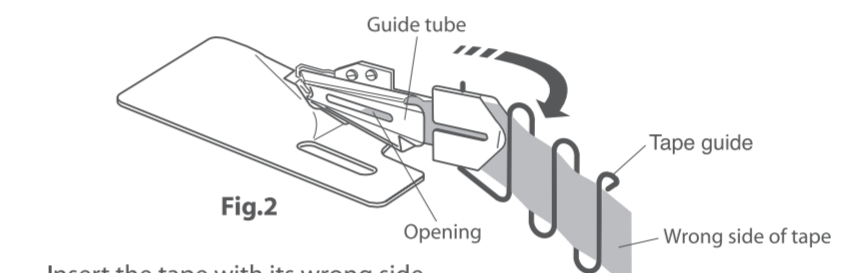
2. Setting the Base Plate
Attach the binder foot. You may use the Dual Feed foot AD if the dual feed mechanism is available on your machine. Remove the hook cover plate. Attach the support plate to the opening of the needle plate.



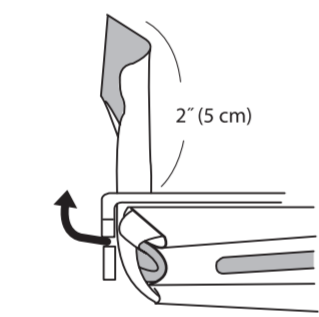
Attach the setscrew (B) and secure tightly with a screwdriver.



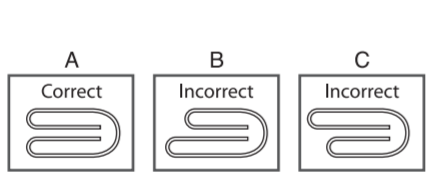
3. Loading the Tape
Open the tape guide in the direction of the arrow. Trim the end of the tape diagonally as shown in Fig. 1.



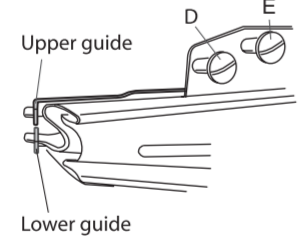
Insert the tape with its wrong side facing you, through the tape guide back and forth as shown in Fig. 2. Insert the tape into the guide tube, and use tweezers to slide it toward the muzzle of the tube. *Tweezers are not included with this kit.



Pull 2" (5 cm) of the tape out of the muzzle of the tube, and fold the tape at a right angle.



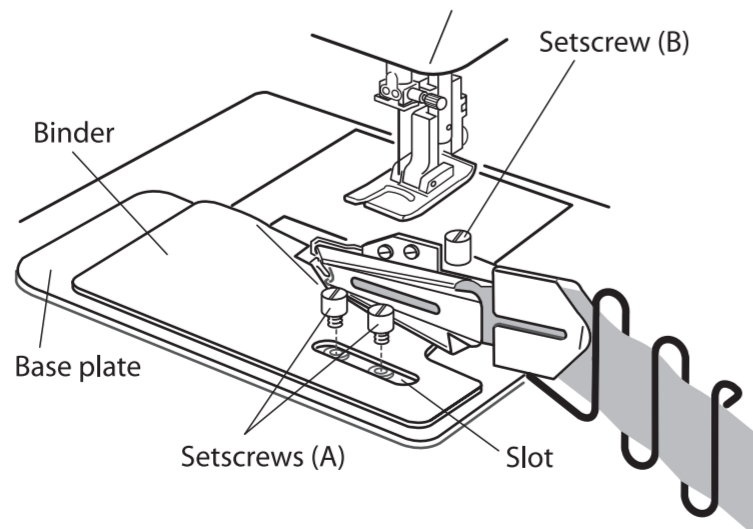
Adjusting evenness of the tape
Both edges of the tape should be folded evenly as shown in Fig. A. If not, correct the evenness of the folded edge.



Loosen the adjusting screw D to adjust the position of the upper guide.
Loosen the adjusting screw E to adjust the position of the lower guide.

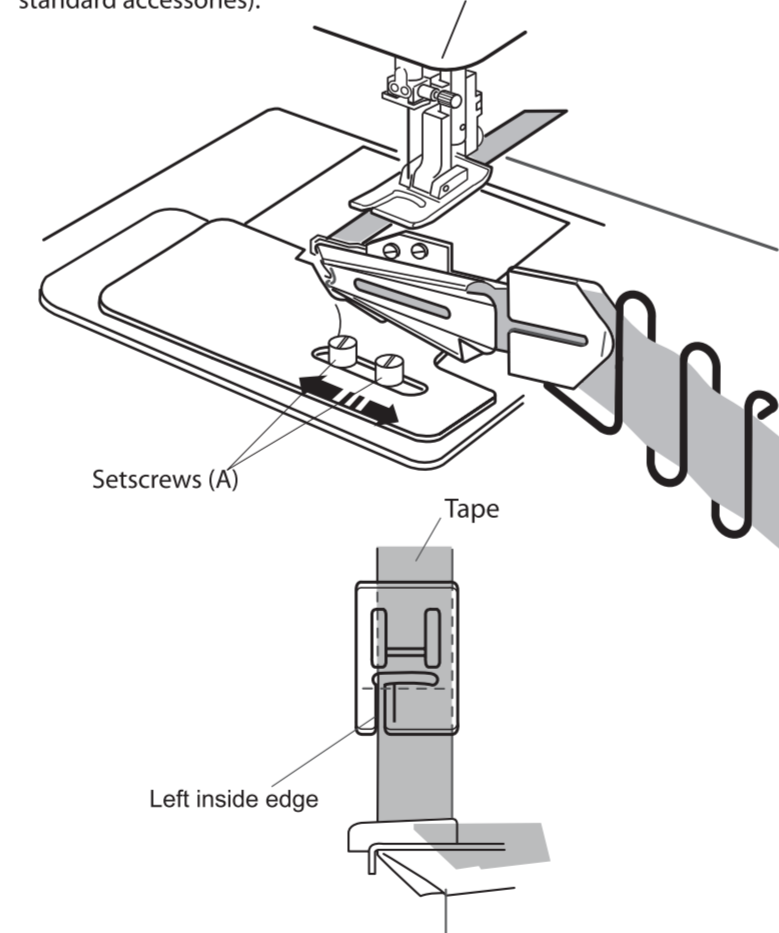
4. Attaching the Binder

Place the binder on the base plate matching the screw holes with the slot in the binder and slightly tighten the two setscrews (A)



5. Adjusting the Binder Position

Align the folded tape with the left inside edge of the foot by sliding the binder to the left or right. Tighten the 2 setscrews (A) with a screwdriver (included in machine's standard accessories).

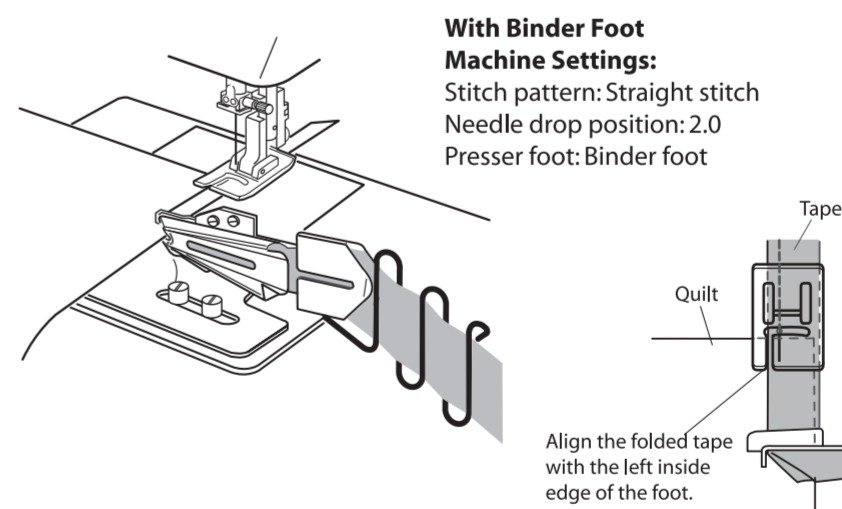


NOTES:
To adjust sewing direction, loosen the setscrew (B). Turn the base plate to align the direction of the tape with the curve of the fabric. Tighten the setscrew (B) with the screwdriver.

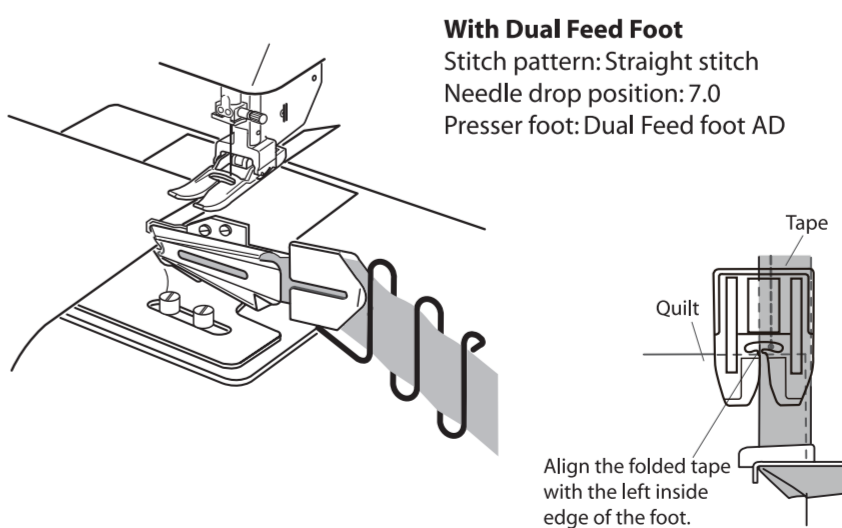
6. Sewing

Select the straight stitch and set the needle drop position at 2.0 (7.0 for the Dual Feed foot). Sew the folded binding about 3/8" (1 cm) with straight stitch (center). Stop the machine with needle down into the fabric. Raise the presser foot and insert the edge of the quilt into the fold and up to the needle. Lower the presser foot and start sewing slowly.

NOTES:
Sew on test fabric before sewing the actual quilt. Do not pull the tape or fabric while sewing.



With Binder Foot
Machine Settings:
Stitch pattern: Straight stitch
Needle drop position: 2.0
Presser foot: Binder foot



With Dual Feed Foot
Machine Settings:
Stitch pattern: Straight stitch
Needle drop position: 7.0
Presser foot: Dual Feed foot AD

形式	202	a0202-2013-r10-01d
品名	プリスターバック台紙 (バインダーセット) 版下	
尺度	1/1	2013-10-08
JANOME	開発第一部 ドキュメントG	